

Ultrasonic Flowmeters

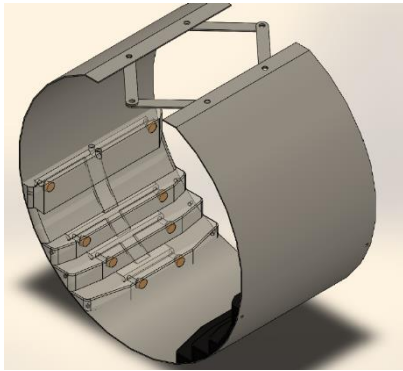
Jain Technology

M.C Shin
CEO / Ph.D

INTRO

- **1991 Establish Jain Technology in Seoul, Korea**
- **Authorized Korea Calibration Laboratory ISO17025**
- **Award from Ministry of Commerce**
Ministry of Environment
Prime Minister
- **Venture Business / Inno-Biz Company**
- **Enterprise Specializing in Parts Materials**
- **Enterprise Specializing in Instrument Development**
- **Developer for Next Generation Core Technology**
from Ministry of Environment
- **Developer of Counter Sniper Detection System from Ministry of Defence**
- **ISO9001, ISO14001, ISO17025 Certified**
- **CE Certified**

Products



Open Channel
(Sewer Pipe)



Gas Flow



Portable



Clamp-On



Solar Power Local Panel



Energy Meter



Flange Clamp-On



Water Meter

Flowmeter Calibration Service



Weighting Type Flowmeter
Standard Calibration System
Flow Range : 0~630 m³/hr



1. Liquid Flowmeter – X100L



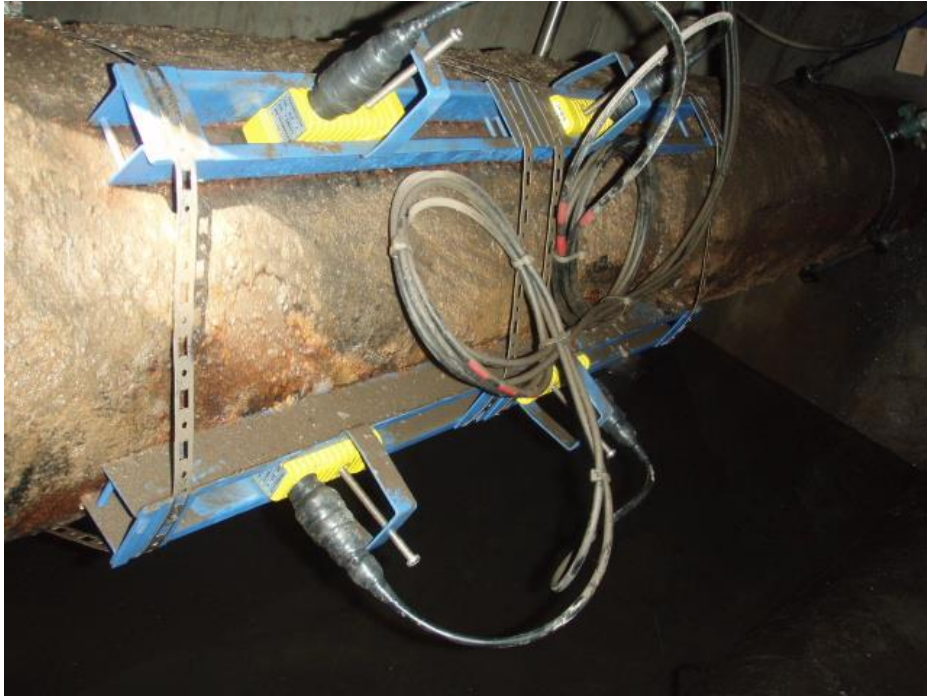
- First in Korea
- Clamp-On
- Competitors are GE, SIEMENS, FUJI, Dynasonic
- NEP (New Excellent Product) Certified from Korea
- 10 more Patent
- Time Resolution pico seconds

Using DSP Technology
(Cross Correlation, FFT)

for Clean & Dirty

Liquid Measurement

1. Liquid Flowmeter – X100L

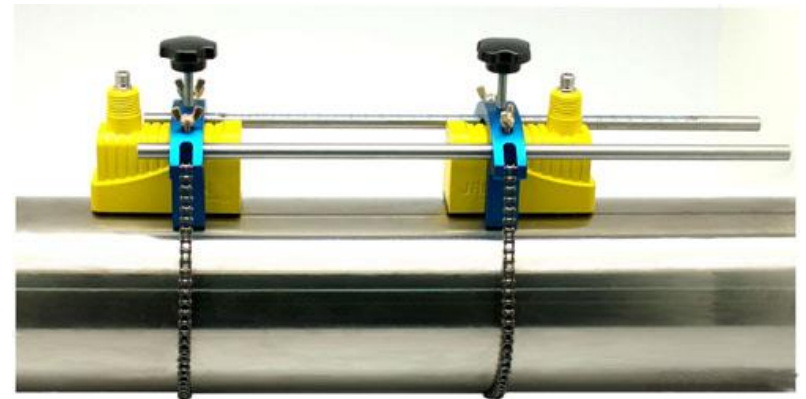


1. Liquid Flowmeter – Xonic 100L



2. Portable Flowmeter – Xonic 100P

- 2.4Kg Weight
- 24 hours operation with battery
- Submersible Connectors
- NEMA 6 case



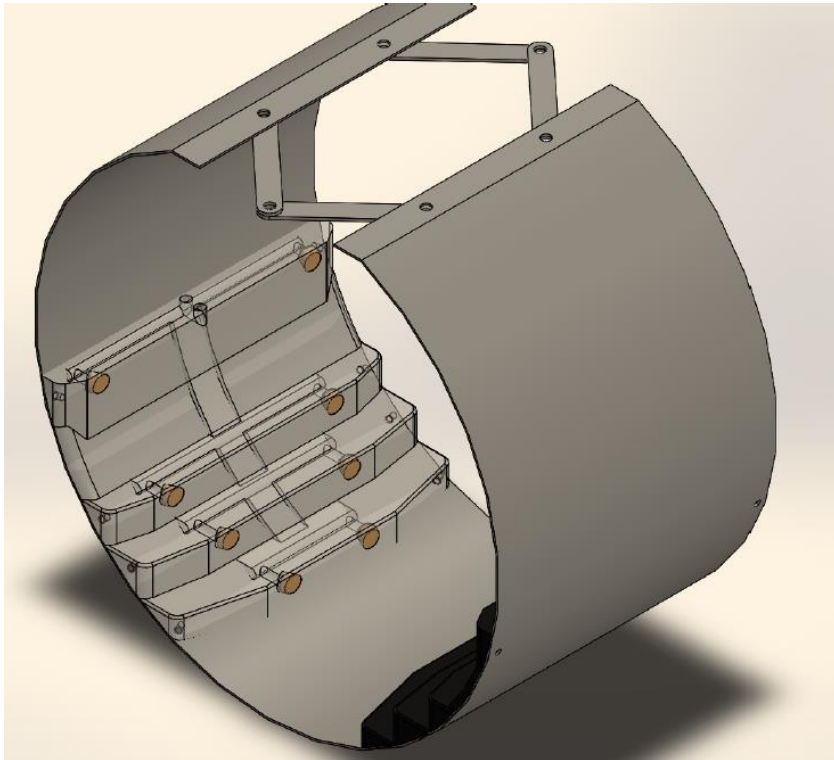
3. Open Channel Flowmeter – Xonic 100LM



- Open Channel Flow
- AR Mode(Patent), Transit-Time
- 4 Path + Level
- Touch Key Installation
- Laser Pointer Alignment (Patent)



4. Sewer Pipe Flow – Xonic 100LO



- Sewer Flow Monitoring
- AR Mode(Patent), Transit-Time
- 4 Path + Level
- Touch Key Installation
- Patent Design



5. Solar Power Flowmeter – WISOP



- No Power required!
 - ☞ 120W Solar Power Panel
- No telephone line required!
 - ☞ CDMA Modem
- Operate 30 days without sun
- Clamp-On Ultrasonic Flowmeter Xonic 100 included
- No Surge Arrestor
- No UPS
- Beautiful Design, Patented



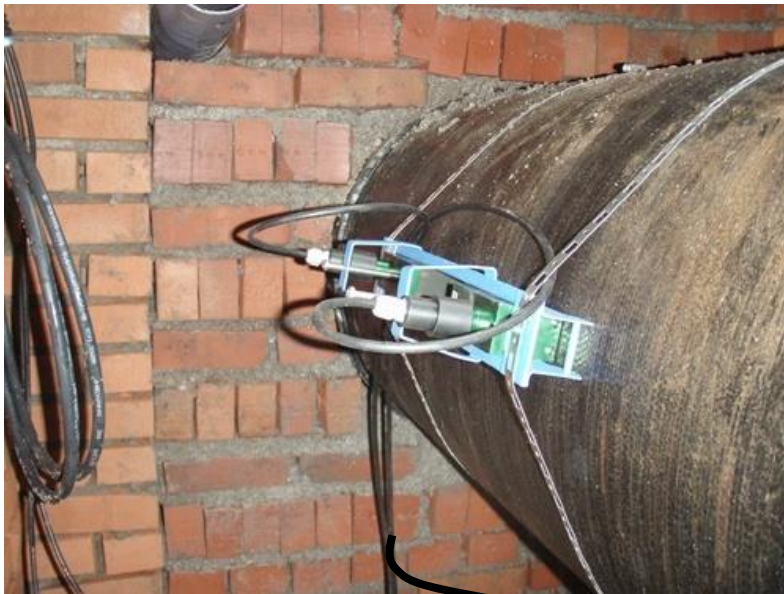
5. Solar Power Flowmeter – WISOP



Old Type
Local Panel



5. Solar Power Flowmeter – WISOP



CDMA Modem

Flowmeter

Battery

6. Gas Flowmeter - Xonic 10G

- Insertion, Spool Piece
- Velocity : 0.02 ~ 30 m/s
- Accuracy : 1.0% (reading)
- AR Mode (Patent), Transit-Time
- 1, 2, 3 Paths



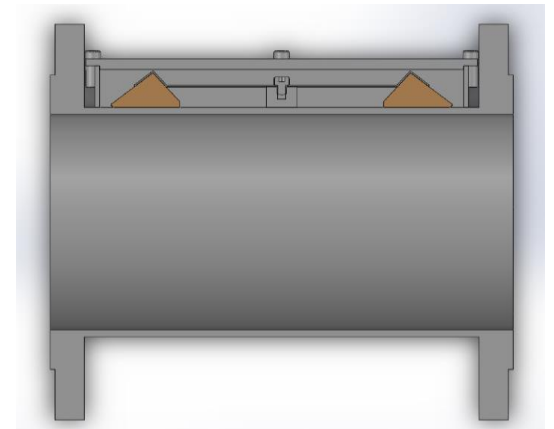
7. Energy Meter, Xonic 10LE



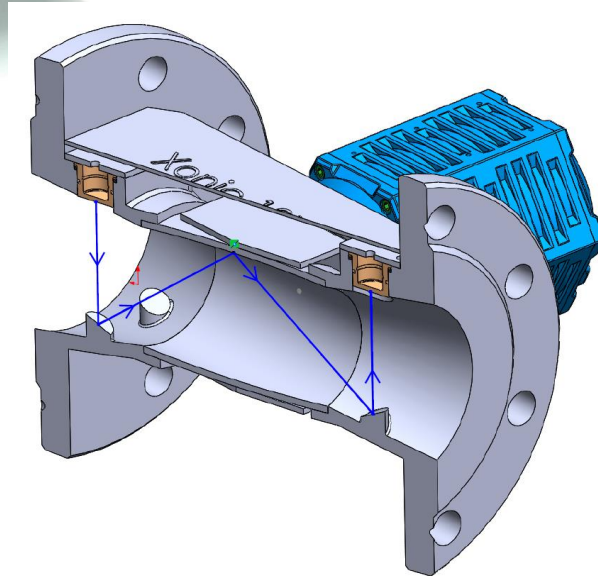
- Insertion, Spool
- Accuracy : 1.0% (reading)
- Ultrasonic Transit-Time
- Stainless Steel Body
- Pulse Output
- 2 temperature sensor (100Ω)
- Display
 - Flow
 - Total
 - Alarm
 - Flow Direction

8. Clamp-On Spool – Xonic 10LF

- Spool, but Clamp-On Transducer
- Replace Electromag Flowmeter
- Accuracy : 0.5~1% (reading)
- Ultrasonic Transit-Time
- Stainless Steel Body
- Pulse Output
- Display
 - Flow
 - Total
 - Alarm
 - Flow Direction



9. Water Meter – Xonic 5L



- Fully Digital Water Meter
- Battery Operation 8 years (3 D size batteries)
- Flow & Total Display
- Accuracy : 2% (reading)
- Ultrasonic Transit-Time
- Stainless Steel Body
- Pulse Output
- Display
 - Flow
 - Total
 - Alarm
 - Flow Direction
- Submersible IP68

9. Water Meter – Xonic 5L



R&D Projects : Clamp-On Gas



Only
SIEMENS,
Flexim,
GE
Make !



R&D Project : S+PLUS (Smart Target)

- Auto Scoring System for Sniper



Counter Sniper Detection System

- Model : SODAR-K
- Detection Time : 0.5 sec.
- Detection Info :
 - Azimuth(360)
 - Distance
 - GPS, Compass
 - Sound Alarm (ex : 2 oclock, 700m)

센서장치



주단말기



통신케이블



탐지장치



- Save VIP
- Enemy Detection
- Special Forces



Thank you!

For more information,
please visit our website:

www.jain.co.kr

smc@jain.co.kr

Tel : 82-2-856-4114