



**RELIABLE**  
SCREEN SUPPLY

**RELIABLE  
ROLLER  
RETRACTABLE  
SCREENS**



# RELIABLE ROLLER RETRACTABLE SCREEN

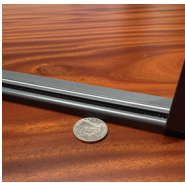


## PRODUCT FEATURES

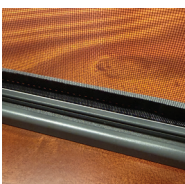
---

The ultra low 10mm bottom track offers a sleek, aesthetic look and minimises the potential for tripping hazards.

The mesh is zipped inside the track, providing stronger wind resistance and a superior seal against insects.



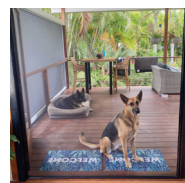
1. Easy access



2. Mesh zipped inside tracks



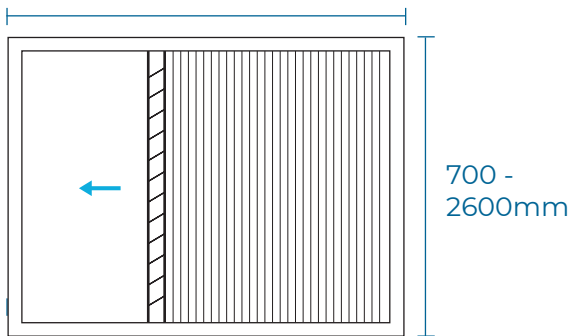
3. Handle stops in any position



4. Ultra clear mesh and pet mesh option available

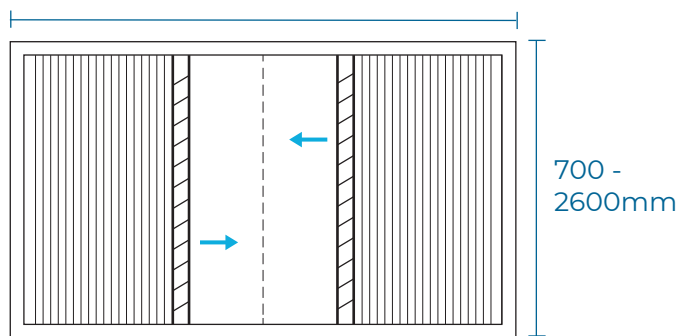
## OPENING CONFIGURATION

600-2600mm(72mm cassette)  
600-3500mm(92mm cassette)



**Single Slide**

1200-5200mm(72mm cassette)  
1200-7000mm(92mm cassette)



**Double Slides Centre Closing**

## PRODUCT DETAILS

### Frame colour options

White / Black / Grey / Custom colour

### Mesh options

Ultra Clear Mesh (Black)  
Pet Mesh, Max. 2300mm(72),  
Max. 3500mm (92)

### Mesh Material

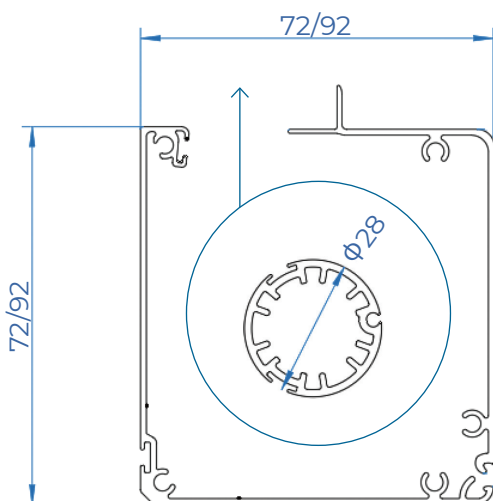
Ultra Clear (P.E.T. material) 3 years warranty  
Pet Mesh (Polyester)

### Frame Material

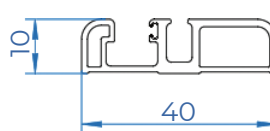
Powder coated aluminium 5 years warranty

## TECHNICAL SPECIFICATION

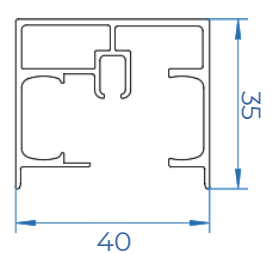
### Cassette



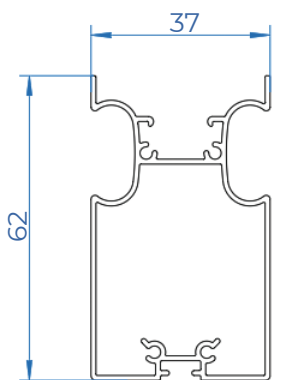
### Bottom Track



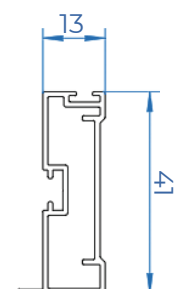
### Top Track



### Handle



### side frame





**RELIABLE SCREEN SUPPLY AUSTRALIA**

**Email** [Rssaus1@gmail.com](mailto:Rssaus1@gmail.com) / **Showroom** 14/37 Mortimer Road, Acacia Ridge.

**Website** [reliablescreensupply.com.au](http://reliablescreensupply.com.au) / **Facebook** Reliable Screen Supply

**RELIABLE SCREEN SUPPLY NEW ZEALAND**

**Email** [Office@reliablescreen.co.nz](mailto:Office@reliablescreen.co.nz) / **Phone (09) 279 9869**

**Main office** Unit 4, 23 Springs Road, East Tamaki, Auckland