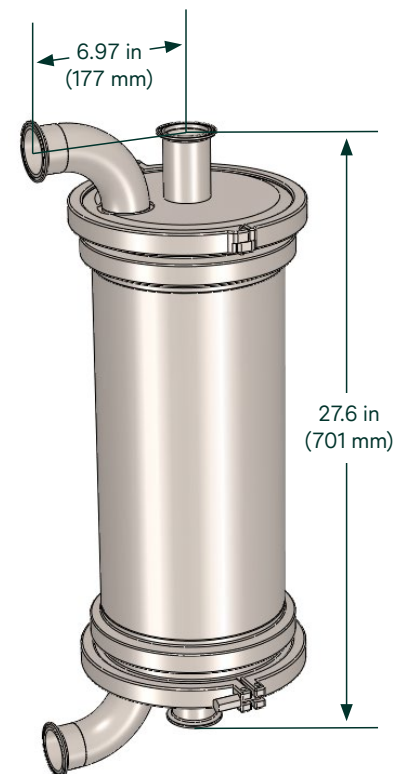


# 3M™ Liqui-Cel™ EXF-8×20 Series Membrane Contactor

## Typical Properties

Membrane characteristics	
Cartridge configuration	Extra-Flow with Center Baffle
Liquid flow guidelines	1 – 11 m <sup>3</sup> /hr (5 – 50 gpm)
Membrane type	X40 Fiber Recommended for O <sub>2</sub> and CO <sub>2</sub> removal from liquids, carbonation and other gas transfer applications
Membrane/potting material	Polypropylene / Epoxy
Priming volume (approximate)	
Shell side	7.5 L (2.0 gal)
Lumen side	5.7 L (1.5 gal)
Pressure guidelines*	
<b>Maximum shell side LIQUID working temperature/pressure</b>	
5 - 25°C (41 - 77°F)	9.3 barg (135 psig)
50°C (122°F)	4.1 barg (60 psig)
70°C (158°F)	2.1 barg (30 psig)
<b>Maximum lumen side GAS operating temperature/pressure</b>	
25°C (77°F)	5.2 barg (75 psig)
*Note: Liquid pressure should always exceed gas pressure in operation.	
Housing characteristics	
Material	316L SS Housing ABS Cartridge Shell
Port connections	
Shell side (Liquid inlet/outlet)	2 inch sanitary
Lumen side	2 inch sanitary
Seal material options for shell side wetted parts	
EPDM	
Mounting kit	
Contains 2 cradles and 2 straps sold separately and will hold the contactor horizontally or vertically.	
Weight (approximate)	
Dry	32.4 kg (71 lbs)
Water-filled (shellside)	38.5 kg (85 lbs)
Regulatory	

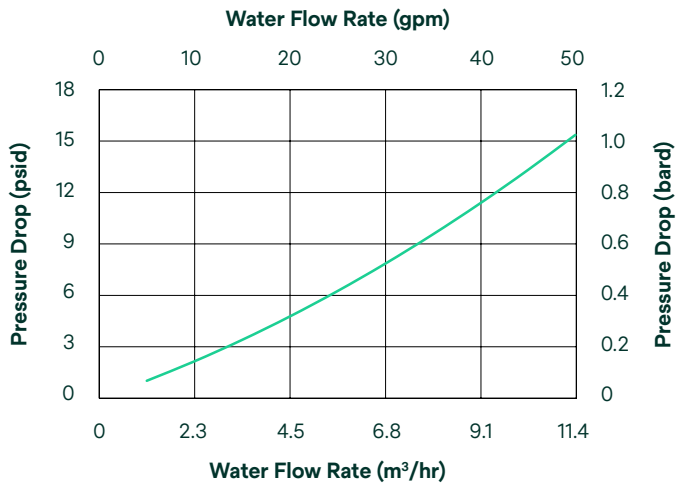
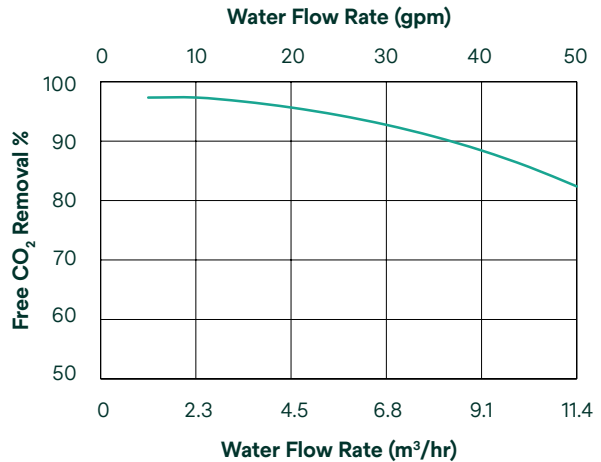
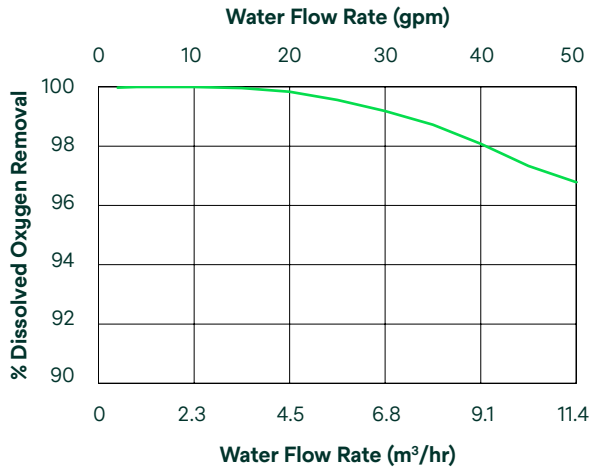
Complies with the limits as set by (EU) 2015/863 amending Annex II to the Restriction on Hazardous Substances (RoHS) Directive (2011 65/EU). 3M™ Liqui-Cel™ EXF-8×20 Series Membrane Contactors in stainless steel housings are constructed of FDA Title 21 CFR §170-186 compliant materials for wetted parts only at ambient temperatures.



All dimensions are nominal values. See full housing drawing on [go.solventum.com/liquicel-productdrawings](http://go.solventum.com/liquicel-productdrawings) for additional details.

**Not for consumer sale or use.**

# 3M™ Liqui-Cel™ EXF-8×20 Series Membrane Contactor



Curves represent nominal values. Characteristics may change under different operating conditions.

Test condition O<sub>2</sub> Removal: N<sub>2</sub>-vacuum combo mode with water at 20°C. Vacuum: 50 mm Hg abs. N<sub>2</sub> sweep: 0.25 scfm.

Test condition CO<sub>2</sub> Removal: Air sweep mode with water at 25°C. Air Sweep: 10 scfm.

These charts should not be used to design systems.

**Technical information:** The technical information, guidance, and other statements contained in this document or otherwise provided by Solventum are based upon records, tests, or experience that Solventum believes to be reliable, but the accuracy, completeness, and representative nature of such information is not guaranteed. Such information is intended for people with knowledge and technical skills sufficient to assess and apply their own informed judgment to the information. No license under any Solventum or third party intellectual property rights is granted or implied with this information.

**Product selection and use:** Many factors beyond Solventum’s control and uniquely within user’s knowledge and control can affect the use and performance of a Solventum product in a particular application. As a result, customer is solely responsible for evaluating the product and determining whether it is appropriate and suitable for customer’s application, including conducting a workplace hazard assessment and reviewing all applicable regulations and standards (e.g., OSHA, ANSI, etc.). Failure to properly evaluate, select, and use a Solventum product and appropriate safety products, or to meet all applicable safety regulations, may result in injury, sickness, death, and/or harm to property.

**Warranty, limited remedy, and disclaimer:** Unless a different warranty is expressly identified on the applicable Solventum product literature or packaging (in which case such express warranty governs), Solventum warrants that each Solventum product meets the applicable Solventum product specification at the time Solventum ships the product. SOLVENTUM MAKES NO OTHER WARRANTIES OR CONDITIONS, EXPRESS OR IMPLIED, INCLUDING, BUT NOT LIMITED TO, ANY IMPLIED WARRANTY OR CONDITION OF MERCHANTABILITY, FITNESS FOR A PARTICULAR PURPOSE, OR ARISING OUT OF A COURSE OF DEALING, CUSTOM, OR USAGE OF TRADE. If a Solventum product does not conform to this warranty, then the sole and exclusive remedy is, at Solventum’s option, replacement of the Solventum product or refund of the purchase price.

**Limitation of liability:** Except for the limited remedy stated above, and except to the extent prohibited by law, Solventum will not be liable for any loss or damage arising from or related to the Solventum product, whether direct, indirect, special, incidental, or consequential (including, but not limited to, lost profits or business opportunity), regardless of the legal or equitable theory asserted, including, but not limited to, warranty, contract, negligence, or strict liability.



**Solventum Purification & Filtration**  
13840 South Lakes Drive  
Charlotte, North Carolina 28273 USA

**Phone** +1 980 859-5400  
[go.solventum.com/liquicel](http://go.solventum.com/liquicel)

**Solventum Purification & Filtration**  
Öhder Straße 28  
42289 Wuppertal, Germany

**Phone** +49 202 6099-0

© Solventum 2025. Solventum, the S logo and Liqui-Cel, are trademarks of Solventum or its affiliates. 3M and the 3M logo are trademarks of 3M. Other trademarks are the property of their respective owners.

Rev. 02/2025

LC-1036